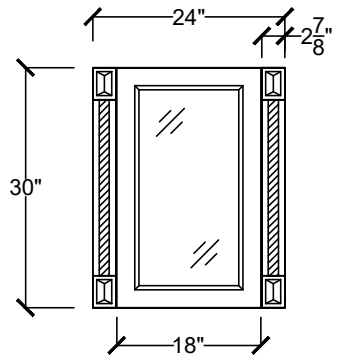
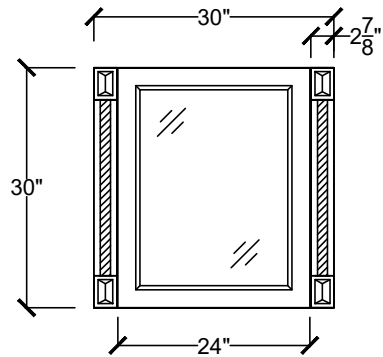


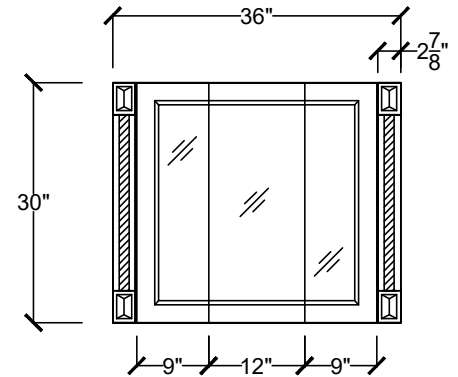
# MEDICINE CABINETS



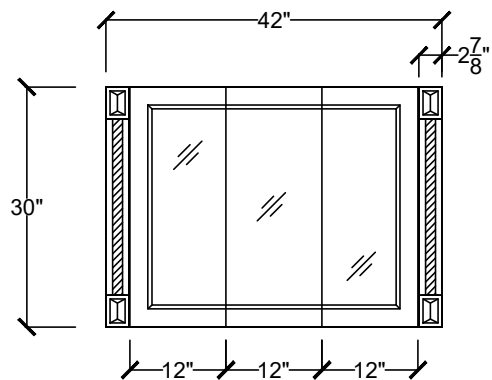
ANAMC 2430-\_\_\_\_-\_\_\_\_



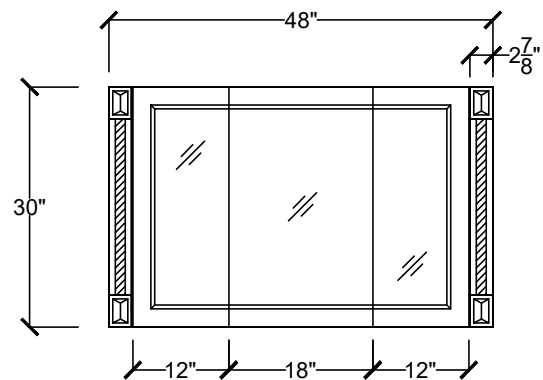
ANAMC 3030-\_\_\_\_-\_\_\_\_



ANAMC 3630-\_\_\_\_-\_\_\_\_



ANAMC 4230-\_\_\_\_-\_\_\_\_



ANAMC 4830-\_\_\_\_-\_\_\_\_